

I. LANGMUIR.

ELECTRON DISCHARGE APPARATUS AND METHOD OF PREPARATION.

APPLICATION FILED JULY 15, 1914. RENEWED JUNE 25, 1917.

1,244,216.

Patented Oct. 23, 1917.

Fig. 2.

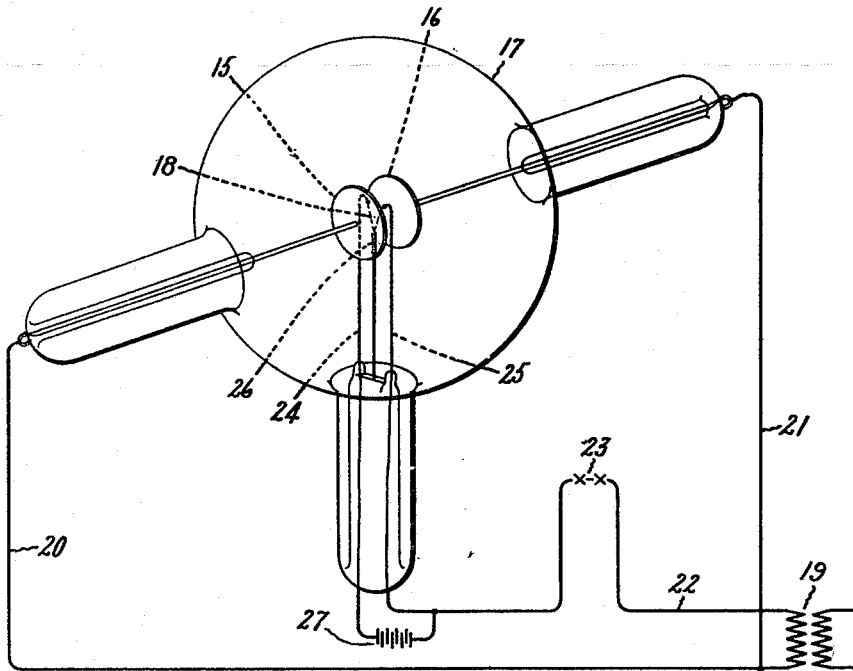


Fig. 3.

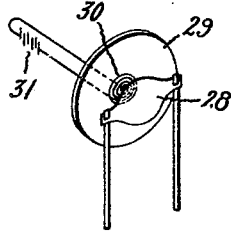
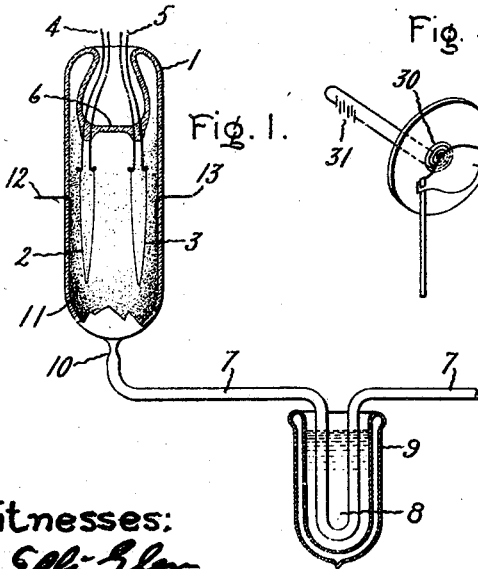


Fig. 1.



Witnesses:

*J. Ellis Elan*  
*Anthony Marx*

Inventor:  
Irving Langmuir,  
by *Albert J. Davis*  
His Attorney.